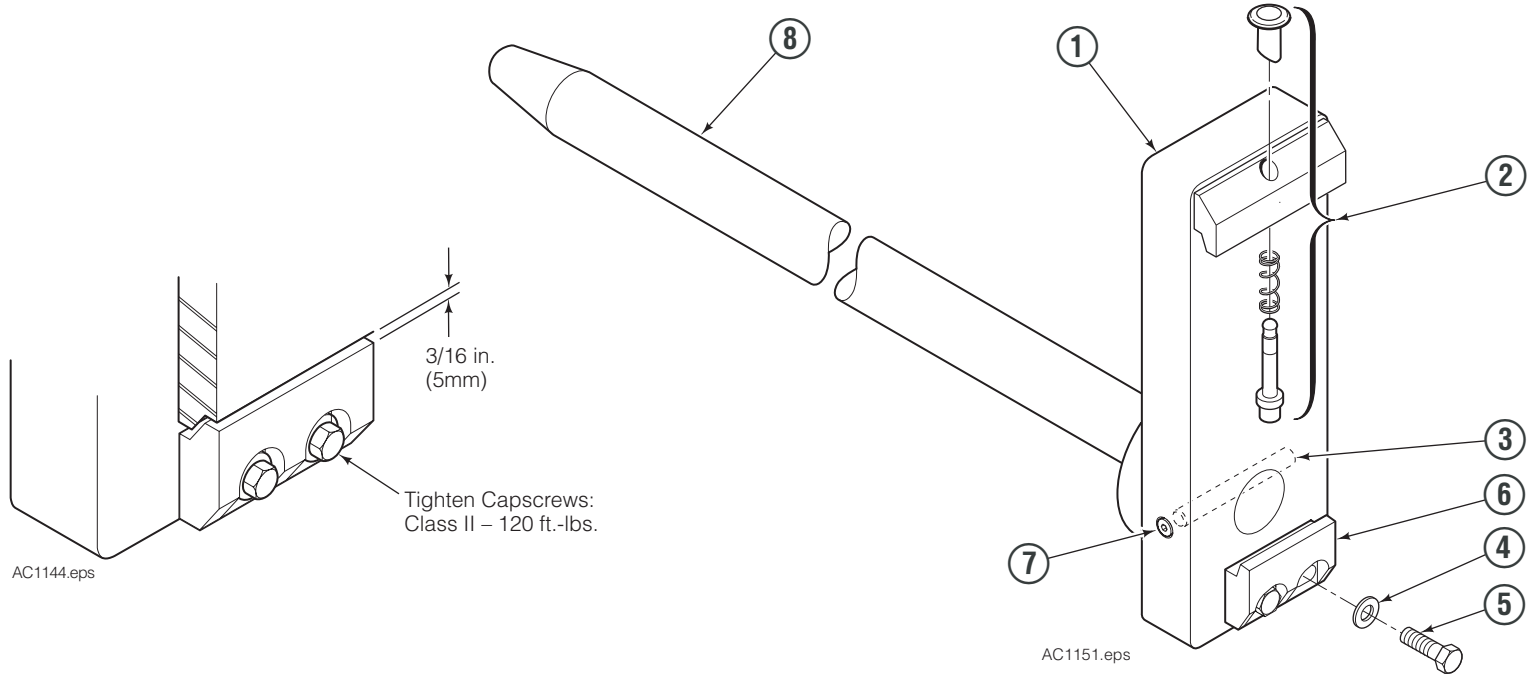


# Carpet Poles Class II



For Technical Assistance call: 800-227-2233, Fax: 888-329-8207  
To Order Parts call: 888-227-2233, Fax: 888-329-0234

|     |     | USABLE LENGTH |            |            |            |            |            |            |            |            |                                 |
|-----|-----|---------------|------------|------------|------------|------------|------------|------------|------------|------------|---------------------------------|
|     |     | 4 ft.         | 5 ft.      | 6 ft.      | 7 ft.      | 8 ft.      | 9 ft.      | 10 ft.     | 11 ft.     | 12 ft.     |                                 |
| REF | QTY | PART NO.      | PART NO.   | PART NO.   | PART NO.   | PART NO.   | PART NO.   | PART NO.   | PART NO.   | PART NO.   | DESCRIPTION                     |
|     |     | 6120404       | 6118441    | 6118276    | 6120805    | 90005      | 90010      | 90015      | 90020      | 90025      | Carpet Pole Assembly            |
| 1   | 1   | 6118121       | 6118121    | 6118121    | 6118121    | 6118121    | 6118121    | 6118121    | 6118121    | 6118121    | Mounting Plate                  |
| 2   | 1   | 6117206       | 6117206    | 6117206    | 6117206    | 6117206    | 6117206    | 6117206    | 6117206    | 6117206    | Pin Kit                         |
| 3   | 1   | 6117331       | 6117331    | 6117331    | 6117331    | 6117331    | 6117331    | 6117331    | 6117331    | 6117331    | Retainer Pin                    |
| 4   | 2   | 667225        | 667225     | 667225     | 667225     | 667225     | 667225     | 667225     | 667225     | 667225     | Washer                          |
| 5   | 2   | 779009        | 779009     | 779009     | 779009     | 779009     | 779009     | 779009     | 779009     | 779009     | Capscrew, M16 x 30 (Patch lock) |
| 6   | 1   | 675968        | 675968     | 675968     | 675968     | 675968     | 675968     | 675968     | 675968     | 675968     | Lower Hook                      |
| 7   | 2   | 6610          | 6610       | 6610       | 6610       | 6610       | 6610       | 6610       | 6610       | 6610       | Plug, .50                       |
| 8   | 1   | 28339-1321    | 28339-1626 | 28339-1930 | 28339-2235 | 28339-2540 | 28339-2845 | 28339-3150 | 28339-3454 | 28339-3759 | Ram                             |