



Parts Manual

20D, 35D, 60D
Carton Clamps

cascade[®]
corporation

Cascade is a Registered Trademark of Cascade Corporation.
P.O. Box 360 • Springfield, Ohio 45505 • (513) 322-1199

E

HOW TO USE THIS MANUAL

Introduction

This manual illustrates service replacement parts for standard production Cascade 20D, 35D, and 60D Carton Clamps.

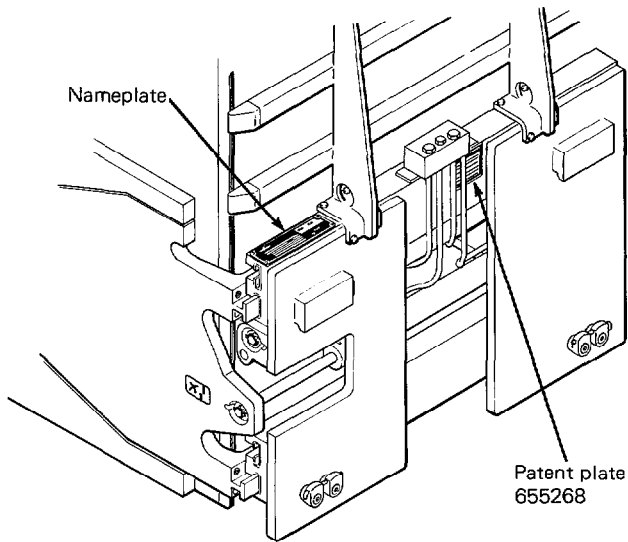
The parts manuals for attachments designed by the Application Engineering Department have an A.E.D. designation on the cover of the manual.

This standard attachment manual is not interchangeable with an A.E.D. Manual since it does not reflect the special engineering of an A.E.D. attachment.

To locate a service replacement part for a standard attachment follow the steps below.

1. Locate Nameplate

The nameplate is attached on the left side of the top arm frame. If the nameplate is missing, all necessary information is stamped into the frame at the same location.



2. Note the Serial Number

Record the six-digit Serial Number. See the example.

3. Refer to Serial Number Index

Locate your Serial Number in the Serial Number Index on the following page.

IMPORTANT: DO NOT USE THIS MANUAL TO ORDER PARTS FOR AN A.E.D. ATTACHMENT. Contact Cascade Corporation to obtain the correct parts manual. You must supply the serial number and all additional equipment numbers to order the correct manual.

4. Ordering

To order service replacement parts contact:

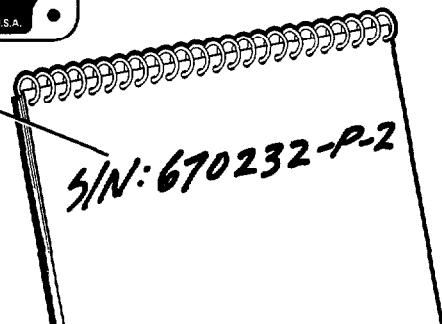
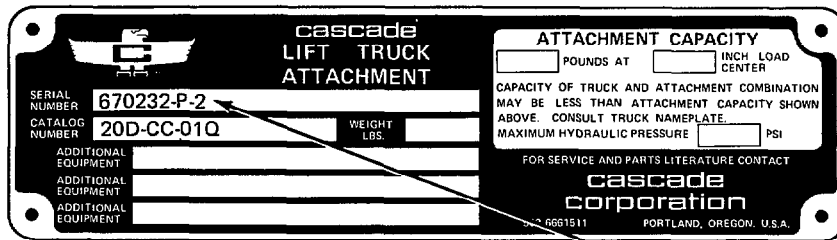
Parts Depot
Cascade Corporation
2501 Sheridan Ave.
Springfield, Ohio 45505
Telephone: (513) 322-1199
Telex: 205413

To order parts or service manuals contact:

Technical Publication Dept.
Cascade Corporation
2201 N.E. 201
Portland, Oregon 97230
Telephone: 1-800-547-5266
or
503-666-1511

5. For Your Convenience

... we have supplied a parts ordering log located on the last page. Use this log as a permanent record of parts ordered from this manual.



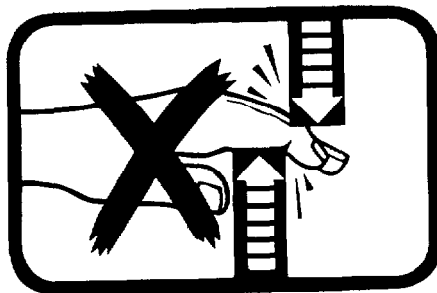
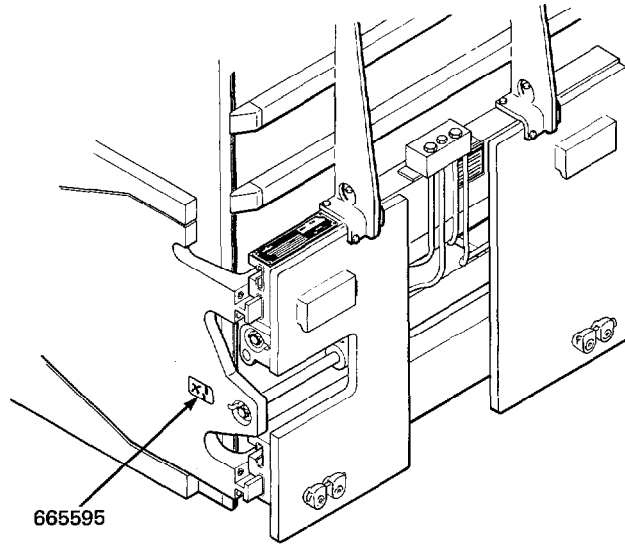
Serial Number Index

Serial Number	Model	Base Unit Group Page	Cylinder Page	Check Valve Page	Solenoid Adaption Page	Contact and Arm Page	Backrest Group Page	Mounting Group Page	Q.D. Coupling Kit	Flow Control Valve
670232	20D	1	2	3	4	5	11	12	13	13
670233	20D	1	2	3	4	5	11	12	13	13
670234	20D	1	2	3	4	5	11	12	13	13
670235	20D	1	2	3	4	5	11	12	13	13
670236	20D	1	2	3	4	5	11	12	13	13
670237	20D	1	2	3	4	5	11	12	13	13
670238	20D	1	2	3	4	5	11	12	13	13
670239	20D	1	2	3	4	5	11	12	13	13
670240	20D	1	2	3	4	5	11	12	13	13
670241	20D	1	2	3	4	5	11	12	13	13
670242	35D	1	2	3	4	7	11	12	13	13
670243	35D	1	2	3	4	7	11	12	13	13
670244	35D	1	2	3	4	7	11	12	13	13
670245	35D	1	2	3	4	7	11	12	13	13
670246	35D	1	2	3	4	7	11	12	13	13
670247	35D	1	2	3	4	7	11	12	13	13
670248	35D	1	2	3	4	8	11	12	13	13
670249	35D	1	2	3	4	8	11	12	13	13
670250	35D	1	2	3	4	8	11	12	13	13
670251	35D	1	2	3	4	8	11	12	13	13
670252	35D	1	2	3	4	8	11	12	13	13
670253	35D	1	2	3	4	8	11	12	13	13
670254	35D	1	2	3	4	9	11	12	13	13
670255	35D	1	2	3	4	9	11	12	13	13
670256	35D	1	2	3	4	9	11	12	13	13
670257	35D	1	2	3	4	9	11	12	13	13
670258	35D	1	2	3	4	9	11	12	13	13
670259	35D	1	2	3	4	9	11	12	13	13
670260	35D	1	2	3	4	7	11	12	13	13
670261	35D	1	2	3	4	7	11	12	13	13
670262	35D	1	2	3	4	7	11	12	13	13
670263	35D	1	2	3	4	7	11	12	13	13
670264	35D	1	2	3	4	7	11	12	13	13
670265	35D	1	2	3	4	7	11	12	13	13
670266	35D	1	2	3	4	8	11	12	13	13
670267	35D	1	2	3	4	8	11	12	13	13
670268	35D	1	2	3	4	8	11	12	13	13
670269	35D	1	2	3	4	8	11	12	13	13
670270	35D	1	2	3	4	8	11	12	13	13
670271	35D	1	2	3	4	8	11	12	13	13
670272	35D	1	2	3	4	9	11	12	13	13
670273	35D	1	2	3	4	9	11	12	13	13
670274	35D	1	2	3	4	9	11	12	13	13
670275	35D	1	2	3	4	9	11	12	13	13
670276	35D	1	2	3	4	9	11	12	13	13
670277	35D	1	2	3	4	9	11	12	13	13

Serial Number Index

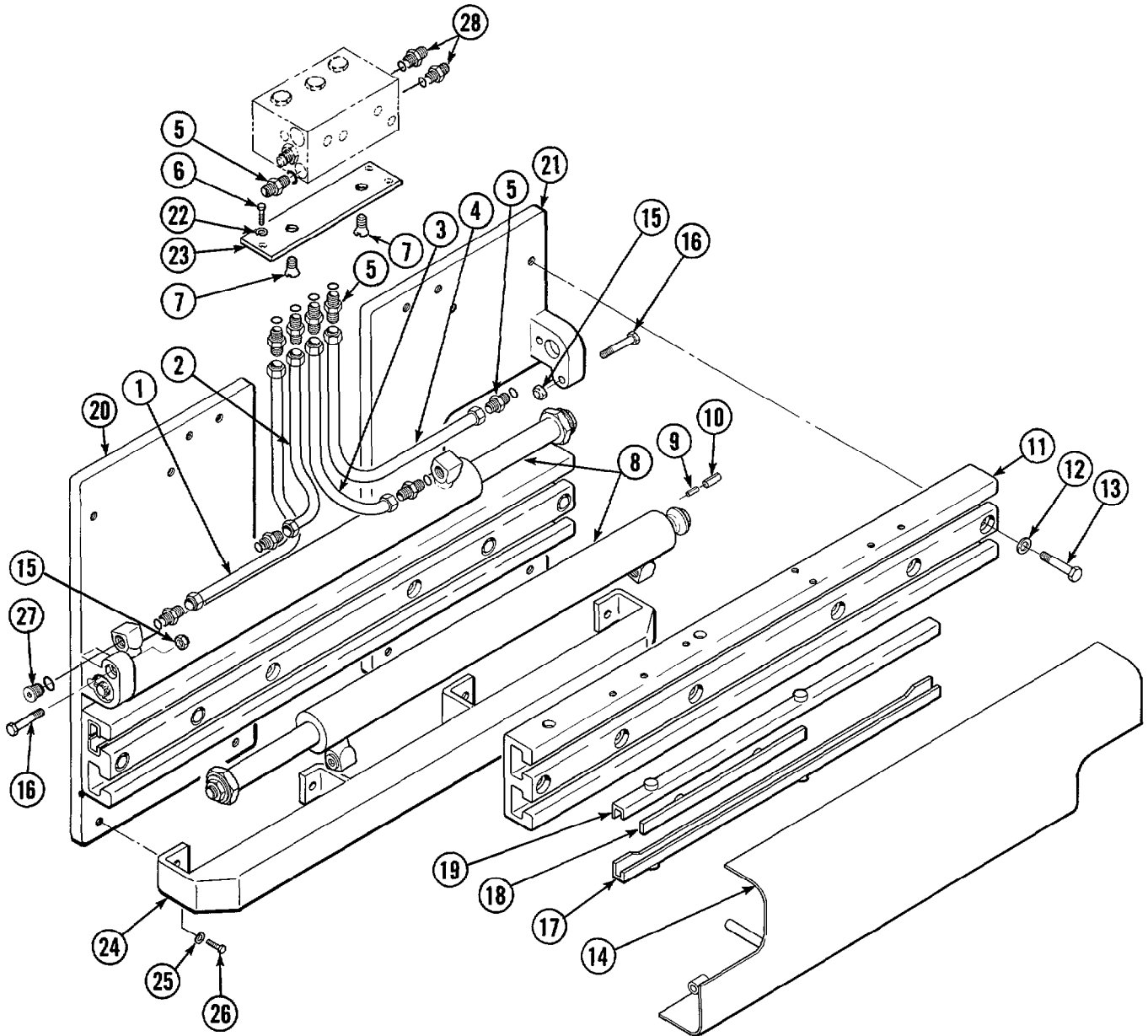
Serial Number	Model	Base Unit Group Page	Cylinder Page	Check Valve Page	Solenoid Adaption Page	Contact and Arm Page	Backrest Group Page	Mounting Group Page	Q.D. Coupling Kit	Flow Control Valve
670278	60D	1	2	3	4	10	11	12	13	13
670279	60D	1	2	3	4	10	11	12	13	13
670280	60D	1	2	3	4	10	11	12	13	13
670281	60D	1	2	3	4	10	11	12	13	13
670282	60D	1	2	3	4	10	11	12	13	13
670283	60D	1	2	3	4	10	11	12	13	13
670284	60D	1	2	3	4	10	11	12	13	13
670285	60D	1	2	3	4	10	11	12	13	13
671473	60D	1	2	3	4	10	11	12	13	13
671474	60D	1	2	3	4	10	11	12	13	13
671550	35D	1	2	3	4	6	11	12	13	13
671551	35D	1	2	3	4	6	11	12	13	13
671552	35D	1	2	3	4	6	11	12	13	13
671553	35D	1	2	3	4	6	11	12	13	13
671554	35D	1	2	3	4	6	11	12	13	13
671555	35D	1	2	3	4	6	11	12	13	13
671556	35D	1	2	3	4	6	11	12	13	13
671557	35D	1	2	3	4	6	11	12	13	13
671558	35D	1	2	3	4	6	11	12	13	13
671559	35D	1	2	3	4	6	11	12	13	13
671560	35D	1	2	3	4	6	11	12	13	13
671561	35D	1	2	3	4	6	11	12	13	13
671596	20D	1	2	3	4	5	11	12	13	13
671597	20D	1	2	3	4	5	11	12	13	13

Safety Decals



QTY.	PART NO.	DESCRIPTION
2	665595	No Hand Hold Decal

Base Unit Group

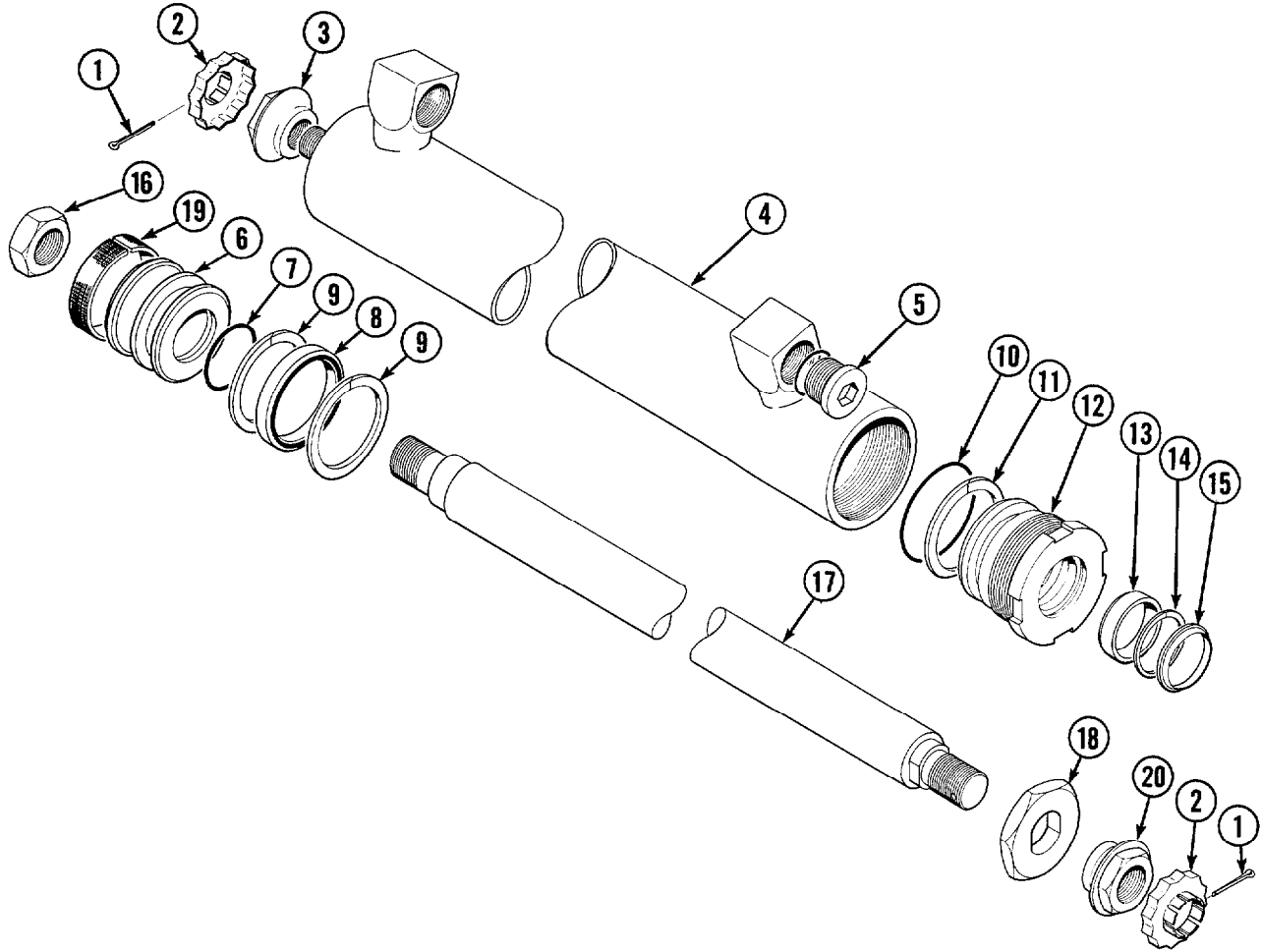


Base Unit Group

REF. NO.	QTY.	20D	35D	60D	DESCRIPTION
		PART NO.	PART NO.	PART NO.	
1	1	667707	667707	667680	Tube
	1	●671569	●671569	—	Tube
2	1	667706	667706	667679	Tube
	1	●671568	●671568	—	Tube
3	1	667705	667705	667678	Tube
	1	●671566	●671566	—	Tube
4	1	667704	667704	667677	Tube
	1	●671567	●671567	—	Tube
5	9	601377	601377	601377	Fitting
6	2	3600	3600	—	Capscrew 3/8 NC x 5/8
	3	—	—	3602	Capscrew 3/8 NC x 5/8
7	2	4071	4071	4071	Capscrew 3/8 NC x 5/8
8	2	670219	667911	670289	Cylinder
	2	●671570	●671573	—	Cylinder
9	2	7861	7861	7861	Roll Pin - Inner
10	2	7962	7962	7962	Roll Pin - Outer
11	2	667904	667904	667659	Frame
	2	●671549	●671549	—	Frame
12	8	667910	667910	667225	Washer
13	8	667909	667909	667644	Capscrew
14	1	667908	667908	670084	Bumper
	1	●671539	●671539	—	Bumper
15	2	665707	665707	665707	Nut
16	2	3659	3659	3659	Capscrew 1/2 NC x 2 1/2
17	4	667907	667907	667662	Bearing
18	4	667663	667663	667663	Bearing
19	4	667906	667906	667661	Bearing
20	1	669895	669895	669998	Mounting Plate - R.H.
	1	●671548	●671548	—	Mounting Plate - R.H.
21	1	669896	669896	669997	Mounting Plate - L.H.
	1	●671547	●671547	—	Mounting Plate - L.H.
22	2	6288	6288	—	Lockwasher
	3	—	—	6288	Lockwasher
23	1	669957	669957	669957	Plate
24	1	669693	669693	670078	Bumper
	1	●671545	●671545	—	Bumper
25	4	6290	6290	6290	Lockwasher
26	4	3654	3654	3654	Capscrew 1/2 NC x 1 1/4
27	2	602580	602580	602580	Plug
28	2	611288	611288	611288	Fitting

●Used on clamps with 41" wide frames only.

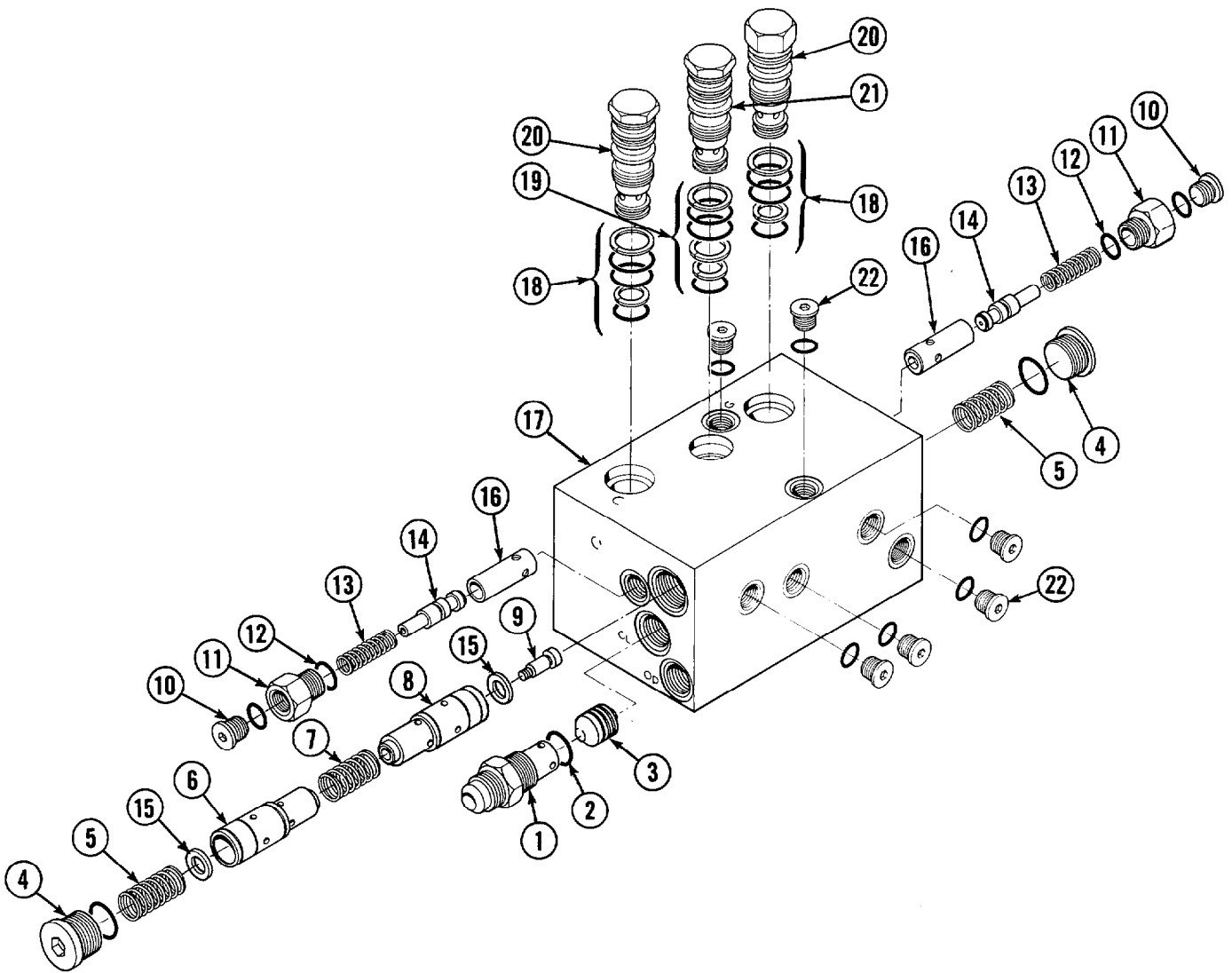
Cylinders



REF. NO.	QTY.	20D	35D	60D	DESCRIPTION
		PART NO.	PART NO.	PART NO.	
		670219	667911	670289	Cylinder Assy.
		*671570	*671573	_____	Cylinder Assy.
◆**■ 1	2	6510	6510	6511	Cotter Pin
◆**■ 2	2	667624	667624	667667	Retainer
**■ 3	1	667625	667625	671424	Nut
	1	553756	553758	553761	Shell
4	1	*671572	*671574	_____	Shell
5	1	602580	602580	602580	Plug
6	1	670890	670891	670894	Piston
● 7	1	2716	2716	2722	O-Ring
● 8	1	662452	662454	662458	Seal
● 9	2	638247	638249	637565	Nylon Ring
●10	1	2785	2787	2793	O-Ring
●11	1	615128	615130	615136	Back-Up Ring
12	1	668016	667917	670895	Retainer
●13	1	662448	662448	662451	Seal
●14	1	638243	638243	638246	Nylon Ring
●15	1	636853	636853	628047	Wiper
16	1	667623	667623	667665	Nut
17	1	667914	667914	667670	Rod
	1	*671571	*671571	_____	Rod
18	1	667626	667626	667676	Washer
●19	1	660759	660761	660765	Bearing
◆**■20	1	667625	667625	667668	Nut
		668021	667995	670922	Service Kit
		668926	668926	668925	Nut Service Kit
		_____	_____	671425	Nut Service Kit

- ◆ Included in Nut Service Kit 671425
- * Included in Nut Service Kit 668925
- Included in Nut Service Kit 668926
- Included in Service Kit
- * Used on clamps with 41" wide frames only.

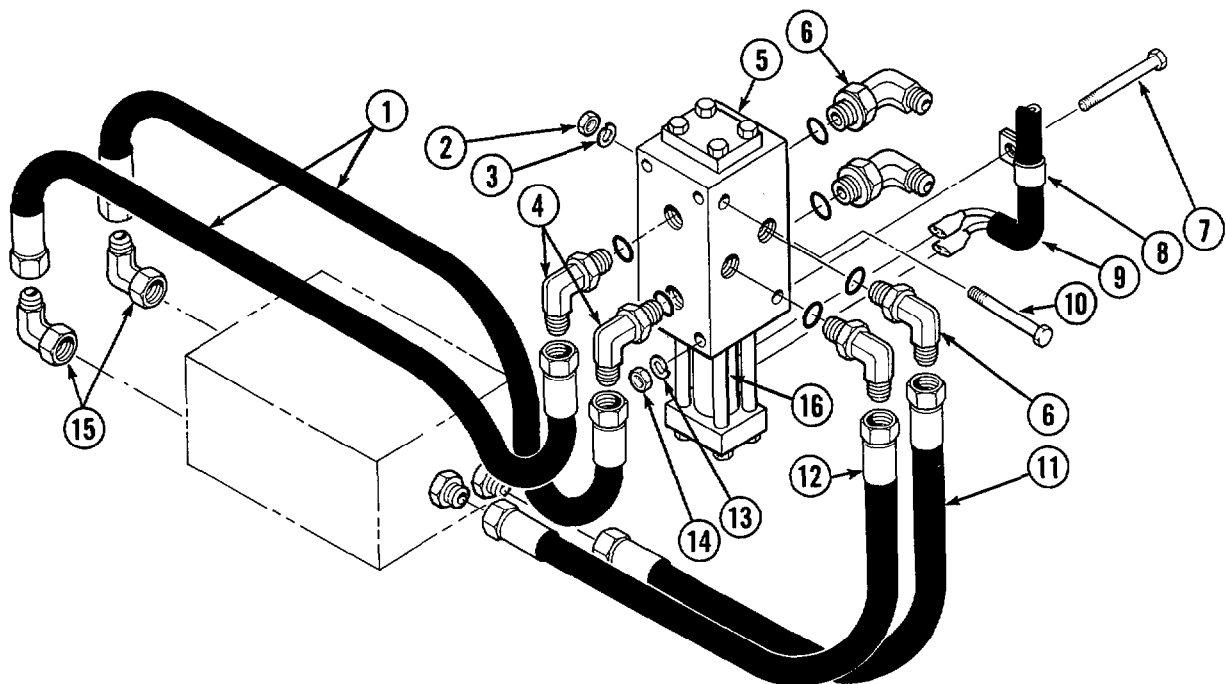
Check Valve



REF. NO.	QTY.	PART NO.	DESCRIPTION
		669762	Check Valve - Flow Divider
1	1	667490	Special Fitting
● 2	1	2841	O-Ring
3	1	667471	Spool
4	2	609453	Plug
5	2	667487	Spring
6	1	667485	Spool
7	1	667488	Spring
8	1	667484	Spool
9	1	667486	Shoulder Screw
10	2	609234	Plug
11	2	667494	Fitting
● 12	2	2840	O-Ring
13	2	667493	Spring
14	2	667492	Poppet
15	2	667489	Washer
16	2	667491	Sleeve
17	1	669763	Valve Body
● 18	2	667516	Service Kit
● 19	1	661347	Service Kit
20	2	659058	Check Valve - P.O.
21	1	667472	Check Valve - V.P.O.
22	6	604510	Plug
		667513	Service Kit

● Included in Service Kit 667513

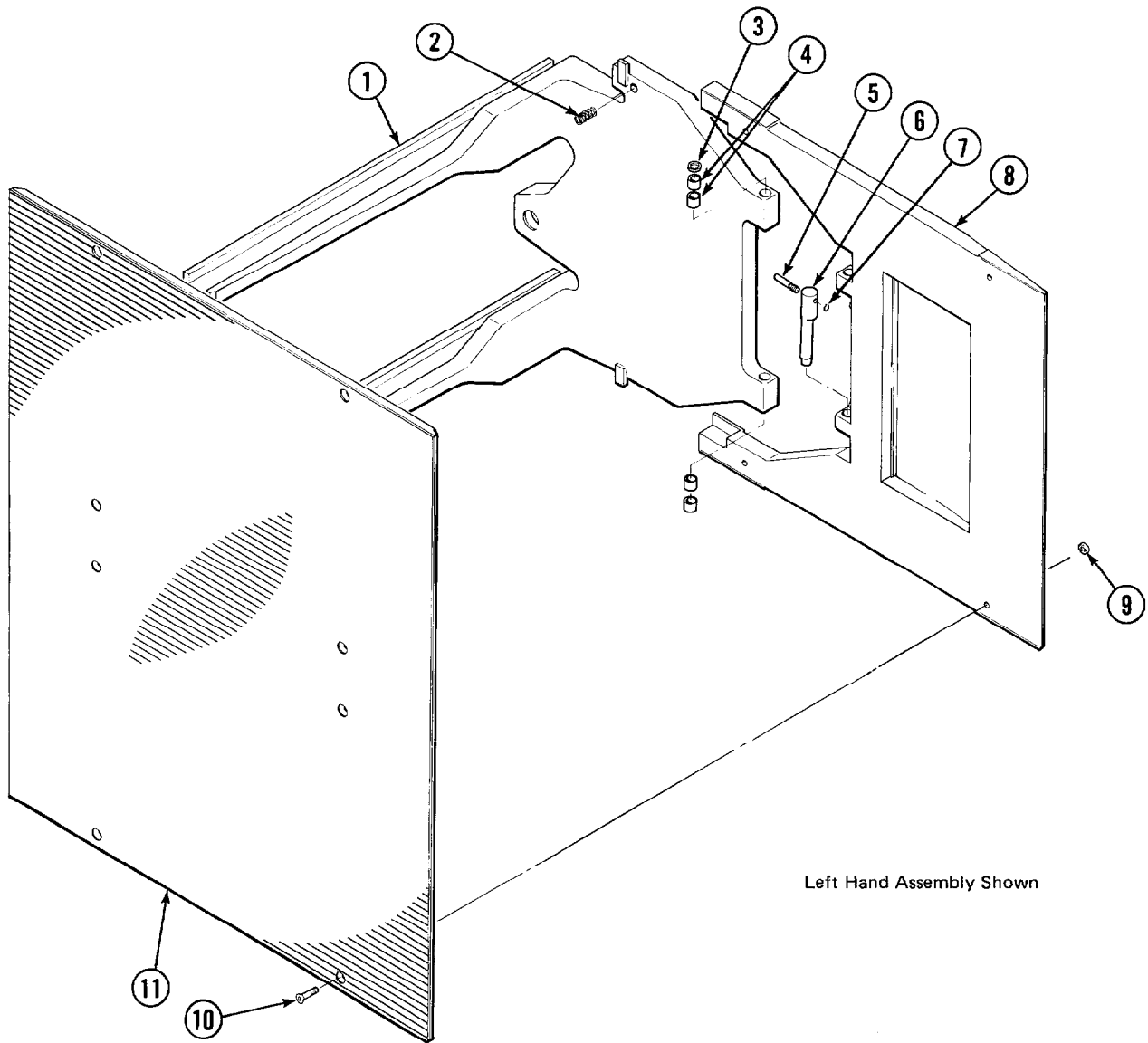
Solenoid Adaption Group



REF. NO.	QTY.	PART NO.	DESCRIPTION
		671475	Solenoid Adaption Group
1	2	2116	Hose
2	2	5900	Nut 1/4 NC
3	2	6257	Lockwasher
4	2	601676	Fitting
5	1	S-962	Solenoid
6	2	651303	Fitting
7	1	•	Capscrew 5/16 NC x 3
8	1	•	Clamp
9	1	•	Pigtail
10	2	3565	Capscrew 1/4 NC x 3 1/2
11	1	2291	Hose
12	1	2290	Hose
13	1	•	Lockwasher
14	1	•	Nut 5/16 NC
15	2	2608	Fitting
16	1	611458	Coil-12V
	1	611461	Coil-36V
	1	614097	Coil-48V
	1	614098	Coil-72V

• Customer supplied

Contact and Arm

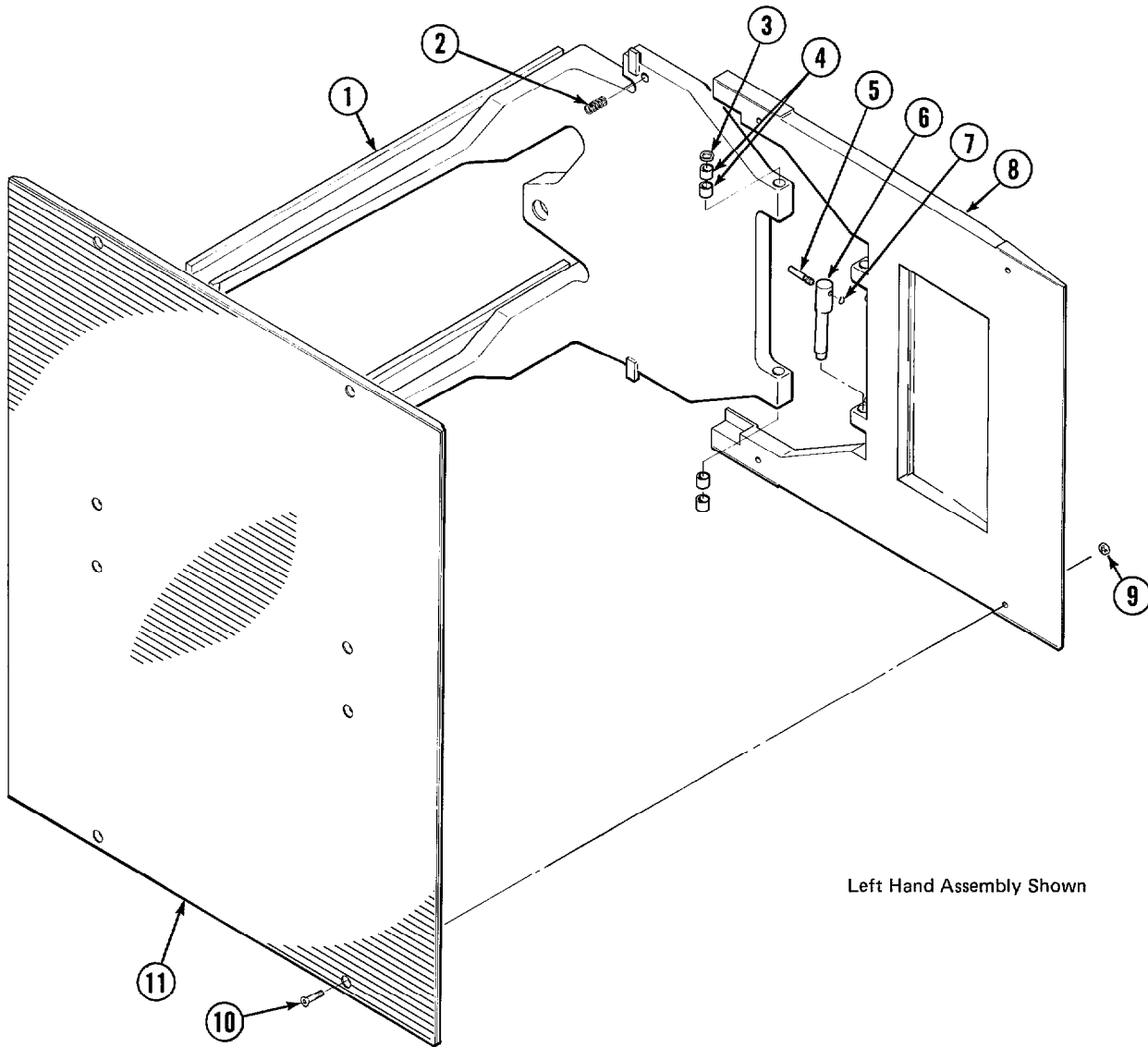


Left Hand Assembly Shown

20D							
REF. NO.	QTY.	30 x 48	40 x 48	42 x 48	46 x 48	48 x 48	DESCRIPTION
		PART NO.	PART NO.	PART NO.	PART NO.	PART NO.	
1	2	669908	669909	669909	669910	669910	Arm
	2	●671588	—	—	—	—	Arm
2	2	661212	661212	661212	661212	661212	Spring
3	4	669694	669694	669694	669694	669694	Washer
4	8	639277	639277	639277	639277	639277	Bushing
5	4	669687	669687	669687	669687	669687	Pin
6	4	669686	669686	669686	669686	669686	Pin
7	4	669894	669894	669894	669894	669894	Snap Ring
8	2	669904	669905	669905	669906	669906	Stabilizer
9	8	550218	550218	550218	550218	550218	Nut
10	8	4672	4672	4672	4672	4672	Cap screw 1/2 NFx1 1/4 GR8
11	2	669935	669936	669937	669938	669939	Contact Pad - Rubber Face
	2	669916	669917	669918	669919	669920	Contact Pad - Aluminum

●Used on clamps with 41" wide frames only.

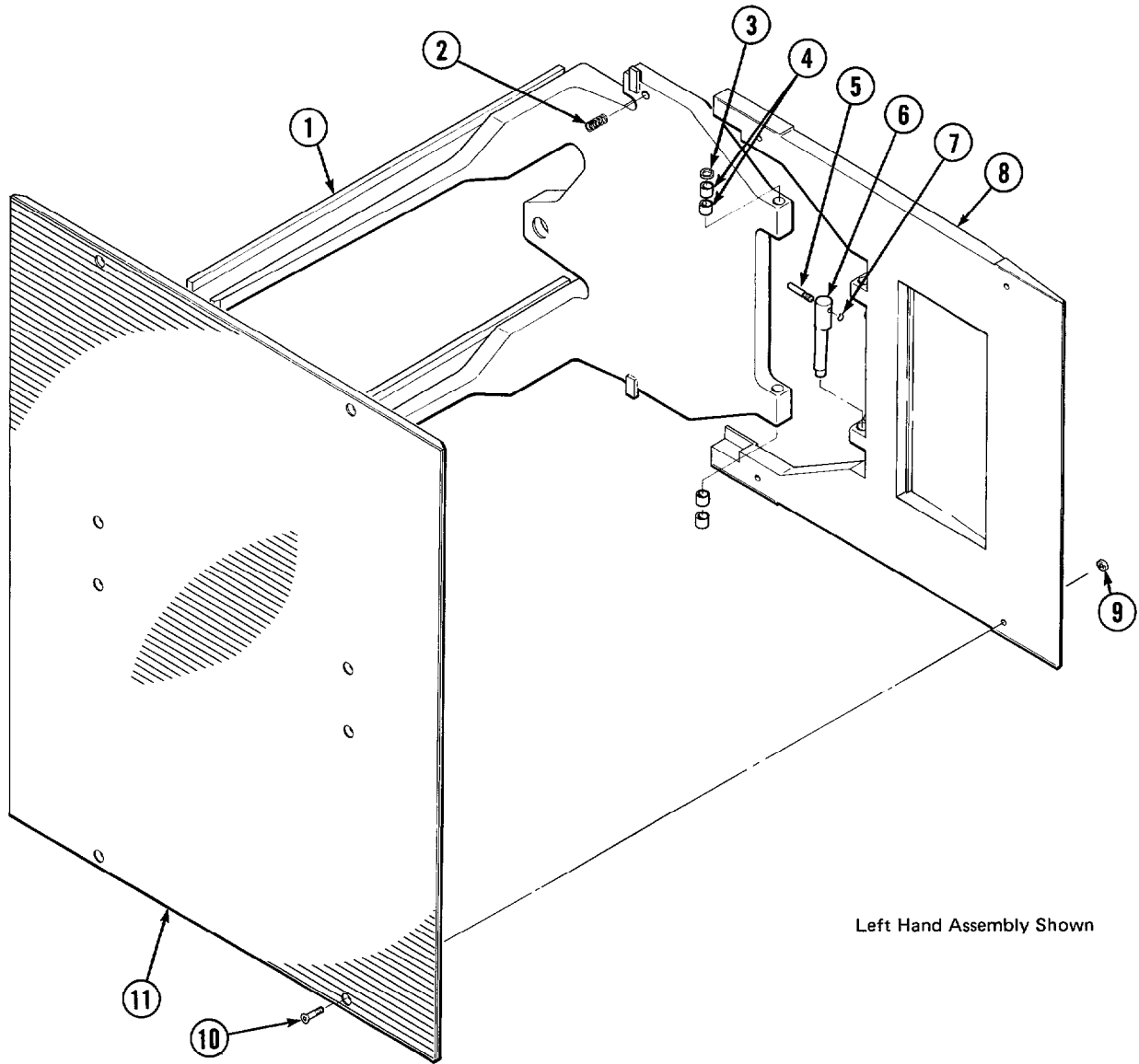
Contact and Arm



Left Hand Assembly Shown

35D								
REF. NO.	QTY.	40 x 48	42 x 48	46 x 48	48 x 48	52 x 48	54 x 48	DESCRIPTION
		PART NO.	PART NO.	PART NO.	PART NO.	PART NO.	PART NO.	
1	2	671589	671589	671590	671590	671591	671591	Arm
2	2	661212	661212	661212	661212	661212	661212	Spring
3	4	669694	669694	669694	669694	669694	669694	Washer
4	8	639277	639277	639277	639277	639277	639277	Bushing
5	4	669687	669687	669687	669687	669687	669687	Pin
6	4	669686	669686	669686	669686	669686	669686	Pin
7	4	669894	669894	669894	669894	669894	669894	Snap Ring
8	2	669905	669905	669906	669906	669907	669907	Stabilizer
9	8	550218	550218	550218	550218	550218	550218	Nut
10	8	4672	4672	4672	4672	4672	4672	Capscrew 1/2 NF x 1 1/4 GR8
11	2	669936	669937	669938	669939	669940	669941	Contact Pad - Rubber Face
	2	669917	669918	669919	669920	669921	669922	Contact Pad - Aluminum

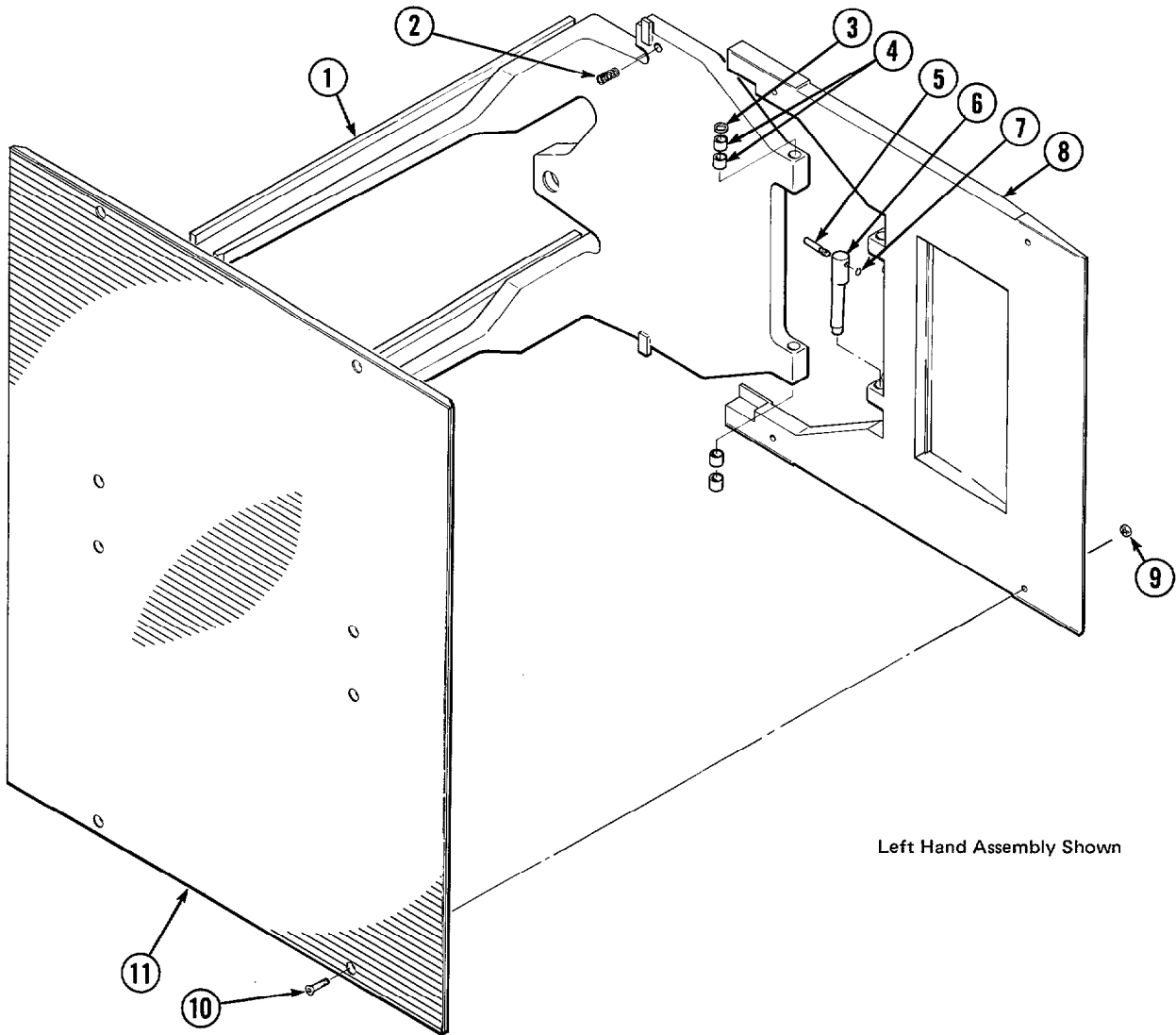
Contact and Arm



Left Hand Assembly Shown

35D								
REF. NO.	QTY.	40 x 48 PART NO.	42 x 48 PART NO.	46 x 48 PART NO.	48 x 48 PART NO.	52 x 48 PART NO.	54 x 48 PART NO.	DESCRIPTION
1	2	669909	669909	669910	669910	669911	669911	Arm
2	2	661212	661212	661212	661212	661212	661212	Spring
3	4	669694	669694	669694	669694	669694	669694	Washer
4	8	639277	639277	639277	639277	639277	639277	Bushing
5	4	669687	669687	669687	669687	669687	669687	Pin
6	4	669686	669686	669686	669686	669686	669686	Pin
7	4	669894	669894	669894	669894	669894	669894	Snap Ring
8	2	669905	669905	669906	669906	669907	669907	Stabilizer
9	8	550218	550218	550218	550218	550218	550218	Nut
10	8	4672	4672	4672	4672	4672	4672	Capscrew 1/2 NF x 1 1/4 GR8
11	2	669936	669937	669938	669939	669940	669941	Contact Pad - Rubber Face
	2	669917	669918	669919	669920	669921	669922	Contact Pad - Aluminum

Contact and Arm

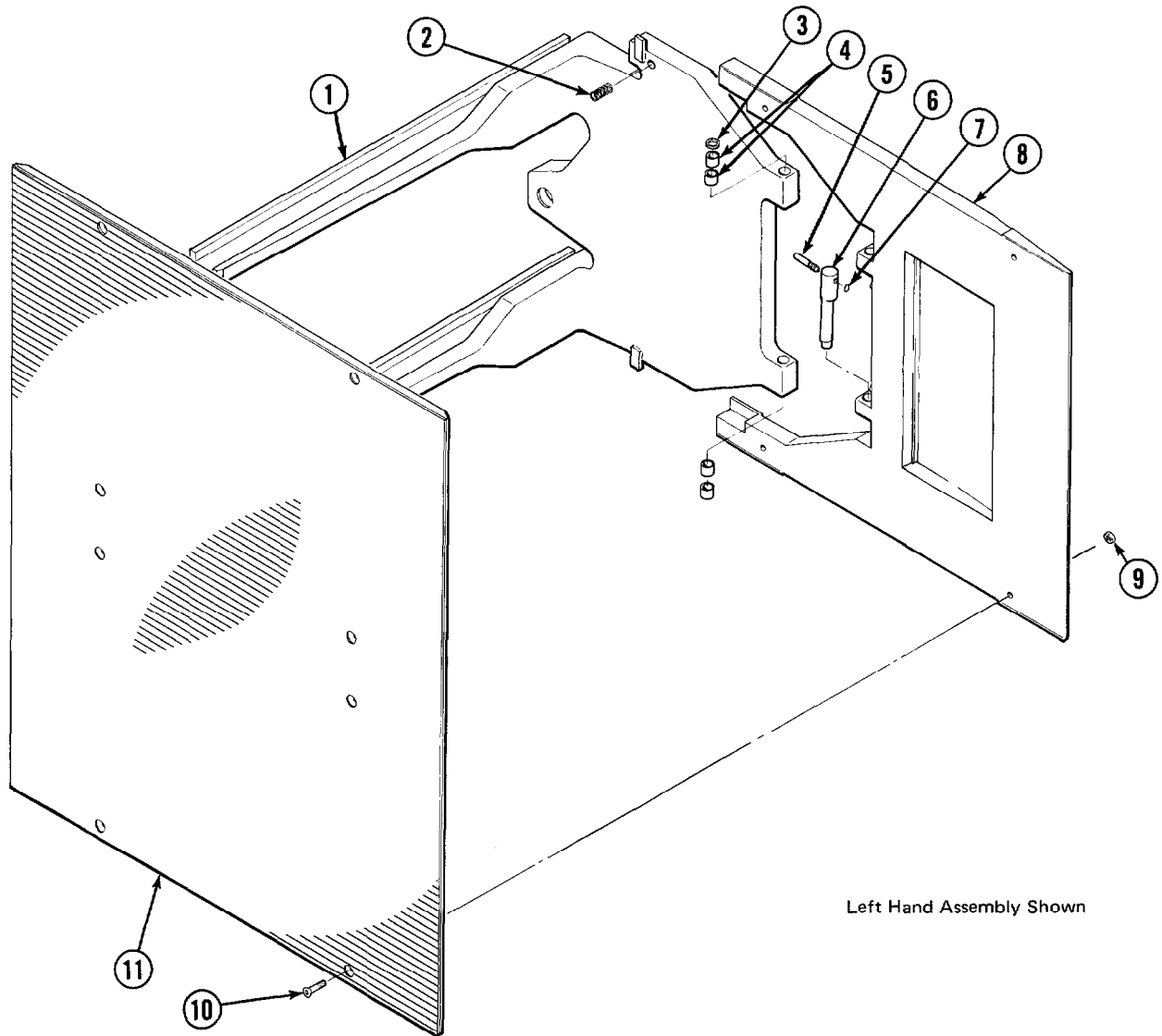


Left Hand Assembly Shown

35D

REF. NO.	QTY.	40 x 54	42 x 54	46 x 54	48 x 54	52 x 54	54 x 54	DESCRIPTION
		PART NO.	PART NO.	PART NO.	PART NO.	PART NO.	PART NO.	
1	2	669909	669909	669910	669910	669911	669911	Arm
2	2	661212	661212	661212	661212	661212	661212	Spring
3	4	669694	669694	669694	669694	669694	669694	Washer
4	8	639277	639277	639277	639277	639277	639277	Bushing
5	4	669687	669687	669687	669687	669687	669687	Pin
6	4	669686	669686	669686	669686	669686	669686	Pin
7	4	669894	669894	669894	669894	669894	669894	Snap Ring
8	2	669905	669905	669906	669906	669907	669907	Stabilizer
9	8	550218	550218	550218	550218	550218	550218	Nut
10	8	4672	4672	4672	4672	4672	4672	Capscrew 1/2 NF x 1 1/4 GR8
11	2	669942	669943	669944	669945	669946	669947	Contact Pad - Rubber Face
	2	669923	669924	669925	669926	669927	669928	Contact Pad - Aluminum

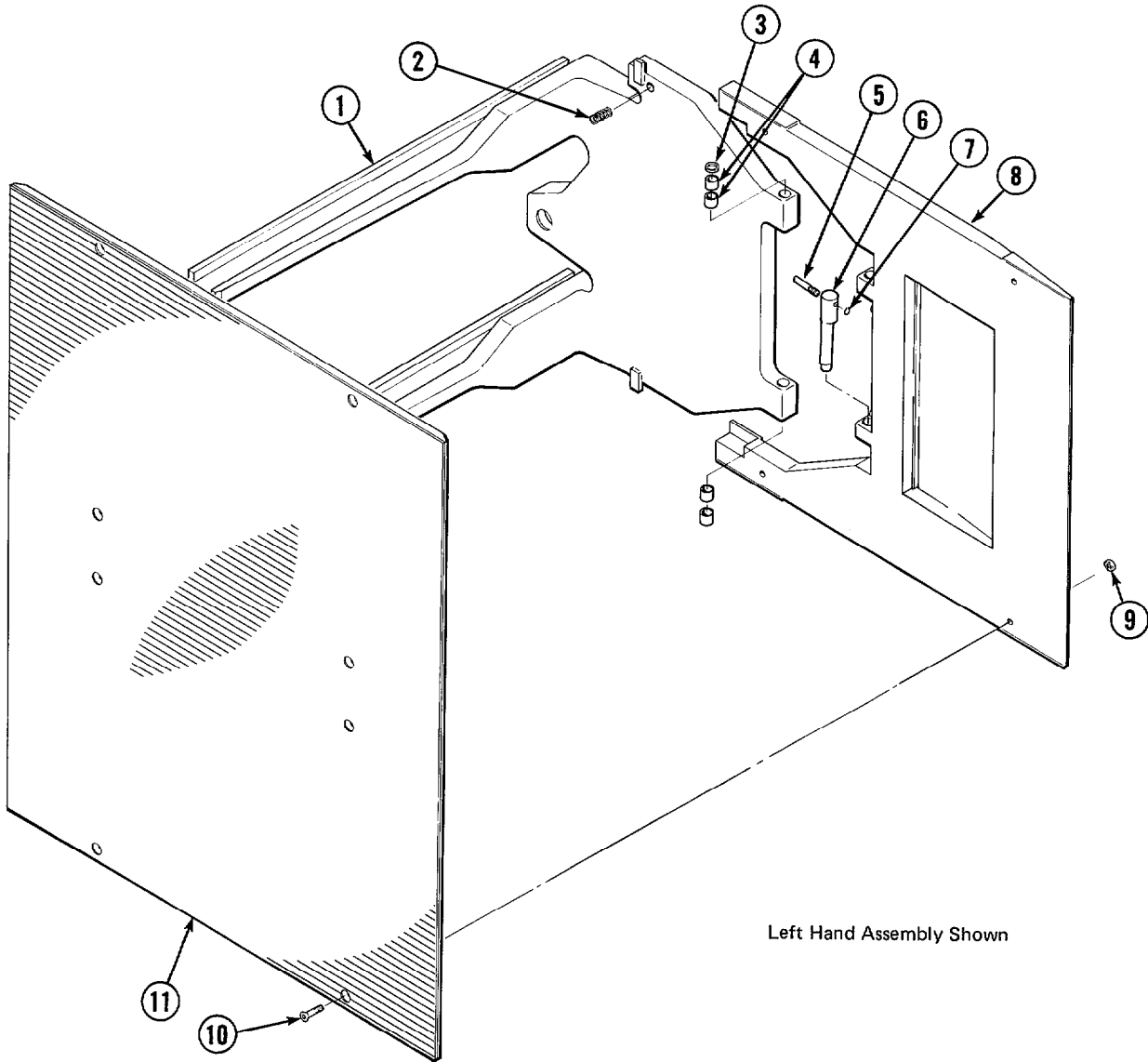
Contact and Arm



Left Hand Assembly Shown

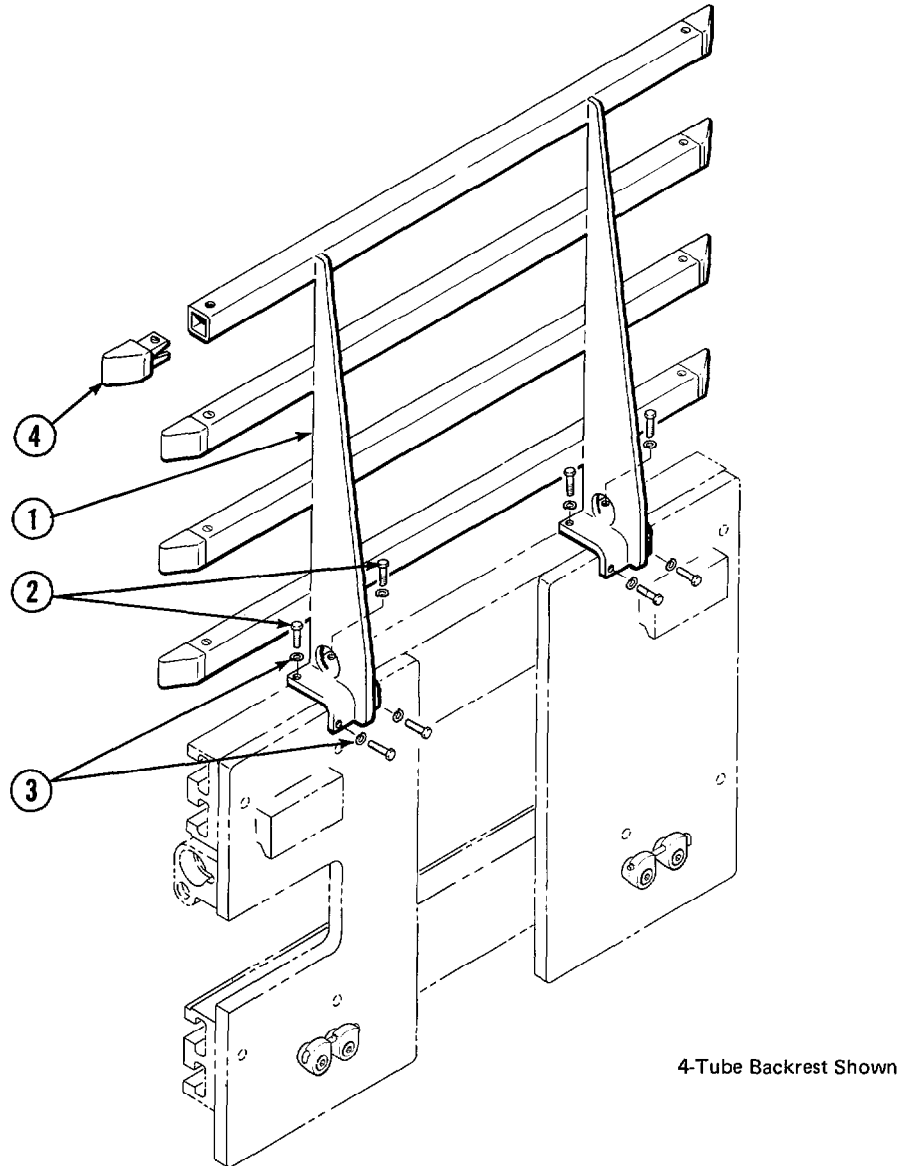
35D								
REF. NO.	QTY.	40 x 60	42 x 60	46 x 60	48 x 60	52 x 60	54 x 60	DESCRIPTION
		PART NO.	PART NO.	PART NO.	PART NO.	PART NO.	PART NO.	
1	2	669909	669909	669910	669910	669911	669911	Arm
2	2	661212	661212	661212	661212	661212	661212	Spring
3	4	669694	669694	669694	669694	669694	669694	Washer
4	8	639277	639277	639277	639277	639277	639277	Bushing
5	4	669687	669687	669687	669687	669687	669687	Pin
6	4	669686	669686	669686	669686	669686	669686	Pin
7	4	669894	669894	669894	669894	669894	669894	Snap Ring
8	2	669905	669905	669906	669906	669907	669907	Stabilizer
9	8	550218	550218	550218	550218	550218	550218	Nut
10	8	4672	4672	4672	4672	4672	4672	Capscrew 1/2 NF x 1 1/4 GR8
11	2	669948	669949	669950	669951	669952	669953	Contact Pad - Rubber Face
	2	669929	669930	669931	669932	669933	669934	Contact Pad - Aluminum

Contact and Arm



60D							
REF. NO.	QTY.	40 x 60	42 x 60	44 x 60	46 x 60	48 x 60	DESCRIPTION
		PART NO.	PART NO.	PART NO.	PART NO.	PART NO.	
1	2	670045	670045	670045	670044	670044	Arm
2	2	661212	661212	661212	661212	661212	Spring
3	4	629312	629312	629312	629312	629312	Washer
4	8	638762	638762	638762	638762	638762	Bushing
5	4	669687	669687	669687	669687	669687	Pin
6	4	669996	669996	669996	669996	669996	Pin
7	4	669894	669894	669894	669894	669894	Snap Ring
8	2	670047	670047	670047	670046	660046	Stabilizer
9	8	550218	550218	550218	550218	550218	Nut
10	8	4672	4672	4672	4672	4672	Capscrew 1/2 NFx1 1/4 GR8
11	2	670040	670041	671441	670042	670043	Contact Pad - Rubber Face
	2	670036	670037	671440	670038	670039	Contact Pad - Aluminum

Backrest Group

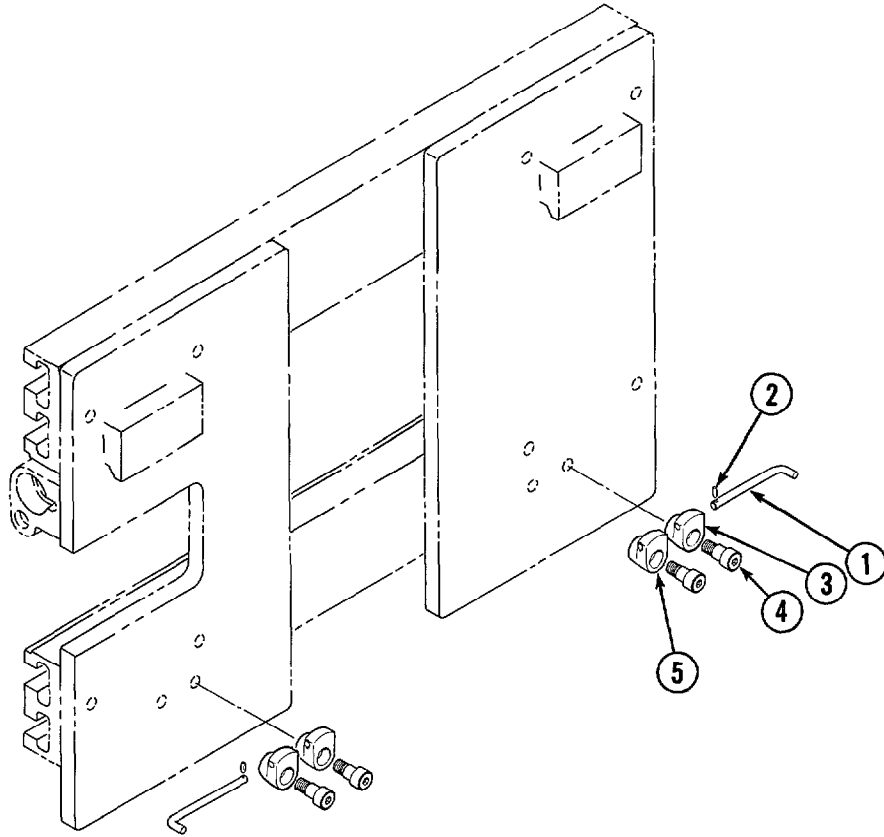


REF. NO.	QTY.	20D	35D	60D	DESCRIPTION
		PART NO.	PART NO.	PART NO.	
		669766	669766	—	Backrest Group - 4 Tube
		—	669902	670070	Backrest Group - 5 Tube
		—	669903	—	Backrest Group - 6 Tube
1	1	669897	669897	—	Backrest - 4 Tube
	1	—	669898	670069	Backrest - 5 Tube
	1	—	669899	—	Backrest - 6 Tube
2	8	670004	670004	670004	Capscrew 1/2 NC x 1 1/4
3	8	6232	6232	6232	Washer
4	•	669900	669900	669900	Tube End

• As required.

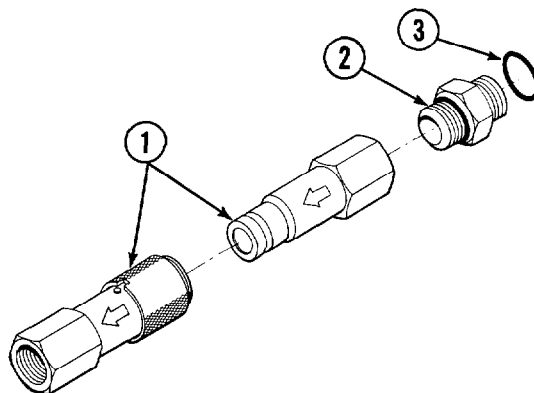


Mounting Group



REF. NO.	QTY.	20D/35D	60D	DESCRIPTION
		PART NO.	PART NO.	
		667685	667687	Lower Hook Group
1	2	667361	667361	Pin
2	2	667358	667358	Roll Pin
3	2	667360	667688	Lower Hook - Outer
4	4	667362	667362	Shoulder Bolt
5	2	667359	667689	Lower Hook - Inner

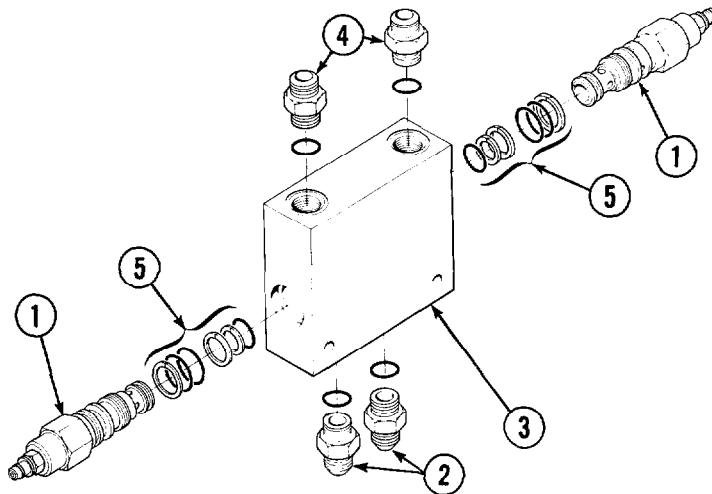
Quick Disconnect Coupling Kit



REF. NO.	QTY.	PART NO.	DESCRIPTION
		671045	Q.D. Coupling Kit
1	2	671243	Q.D. Coupling
2	2	671246	Fitting, 8-8
	2	671247	Fitting, 8-6
•3	2	2840	O-ring

•Use with fitting 671247 only.

Flow Control Valve Kits



REF. NO.	QTY.	3.5/3.5 G.P.M.	3.5/5.0 G.P.M.	3.5/7.0 G.P.M.	5.0/5.0 G.P.M.	5.0/7.0 G.P.M.	5.0/10.0 G.P.M.	10.0/10.0 G.P.M.	DESCRIPTION
		PART NO.	PART NO.	PART NO.	PART NO.	PART NO.	PART NO.	PART NO.	
		671823	671832	671833	670226	671824	670227	671825	Flow Control Valve Kit
1	1	---	671827	---	---	---	---	---	Valve Cratridge-3.5 GPM
	2	671827	---	---	---	---	---	---	Valve Cartridge-3.5 GPM
	1	---	671828	---	---	671828	671828	---	Valve Cartridge-5.0 GPM
	2	---	---	---	671828	---	---	---	Valve Cartridge-5.0 GPM
	1	---	---	671829	---	671829	---	---	Valve Cartridge-7.0 GPM
	2	---	---	---	---	---	671830	---	Valve Cartridge-10.0 GPM
2	2	601377	601377	601377	601377	601377	601377	601377	Fitting
3	1	671826	671826	671826	671826	671826	671826	671826	Valve Body
4	2	601377	601377	601377	601377	601377	601377	601377	Fitting
	2	611288	611288	611288	611288	611288	611288	611288	Fitting
5	1	656223	656223	656223	656223	656223	656223	656223	Valve Cartridge Seal Kit

RECOMMENDED SPARE PARTS LIST

20D, 35D & 60D CARTON CLAMP						
PART NUMBER			DESCRIPTION	ATTACHMENTS SERVICED		
20D	35D	60D		1-5	6-13	20-50
			FRAME AND HYDRAULICS			
667704	667704	667677	Tube	0	1	2
667705	667705	667678	Tube	0	1	2
667706	667706	667679	Tube	0	1	2
667707	667707	667680	Tube	0	1	2
671566	671566	-	Tube - 41" wide frame only	0	1	2
671567	671567	-	Tube - 41" wide frame only	0	1	2
671568	671568	-	Tube - 41" wide frame only	0	1	2
671569	671569	-	Tube - 41" wide frame only	0	1	2
667904	667904	667659	Frame	0	1	2
671549	671549	-	Frame - 41" wide frame only	0	1	2
667908	667908	670084	Bumper	0	0	1
671539	671539	-	Bumper - 41" wide frame only	0	0	1
667663	667663	667663	Bearing	4	8	12
667906	667906	667661	Bearing	4	8	12
667907	667907	667662	Bearing	4	8	12
669900	669900	669900	Backrest Tube End	2	4	8
			CYLINDER			
670219	667911	670289	Cylinder Assy.	0	0	1
671570	671573	-	Cylinder Assy. - 41" wide frame only	0	0	1
553756	553758	553761	Shell	0	1	1
671572	671574	-	Shell - 41" wide frame only	0	1	1
670890	670891	670894	Piston	0	0	2
668016	667917	670895	Retainer	0	0	2
667914	667914	667670	Rod	0	1	2
671571	671571	-	Rod - 41" wide frame only	0	1	2
668926	668926	668925	Nut Service Kit	0	2	4
-	-	671425	Nut Service Kit	0	2	4
668021	667995	670922	Service Kit - Valve	2	4	8
			CHECK VALVE			
669762	669762	669762	Check Valve	0	0	1
667516	667516	667516	Service Kit - PO	2	4	6
661347	661347	661347	Service Kit - VPO	1	2	4
659058	659058	659058	Check Valve - PO	1	1	2
667472	667472	667472	Check Valve - VPO	1	1	2
667513	667513	667513	Service Kit - Valve	1	2	3
			MOUNTING			
667360	667360	667688	Lower Hook, Outer	4	8	12
667359	667359	667689	Lower Hook, Inner	4	8	12
667361	667361	667361	Pin	4	8	12
667358	667358	667358	Roll Pin	4	8	12
667362	667362	667362	Shoulder Bolt	4	8	12
			ARMS			
639277	639277	639277	Bushings	8	16	32
			PAINT, CASCADE YELLOW			
668209	668209	668209	12 oz. Aerosol Can	1	1	1



NATIONAL
ASSOCIATION
OF SERVICE
MANAGERS

